

Voltage	: 415V ± 10%	Ambient	: 50°C	Ins. Class	: F
Frequency	: 50Hz ± 5%	Duty	: S1	Temp. Rise	: B
Combined Variation	: ± 10%			Protection	: IP55

Performance Table - For Brake Part

Frame Size	Outputs (kW)				*Brake release time (ms)	**Brake Application time (ms)		Braking Torque (kgm)
	2P	4P	6P	8P		AC Side Interruption	DC Side Interruption	
71	0.37	0.25	0.25	-	50	135	25	0.5
	0.55	0.37	-	-	50	135	25	0.5
80	0.75	0.55	0.37	-	55	225	45	1.0
	1.1	0.75	0.55	-	55	225	45	1.0
90S	1.5	1.1	0.75	0.37	100	260	50	2.0
90L	2.2	1.5	1.1	0.55	100	260	50	2.0
100L	3.7	2.2	1.5	0.75	135	270	50	4.0
	-	-	-	1.1	135	270	50	4.0
112M	-	3.7	2.2	1.5	145	290	60	5.0
132M	5.5,7.5	5.5	3.7	2.2	145	270	60	5.0
132M	9.3	7.5	5.5	-	145	270	60	5.0

1. Other Braking torque values up to 40% higher can be given for special applications.
2. Other output can be offered on request where feasible.

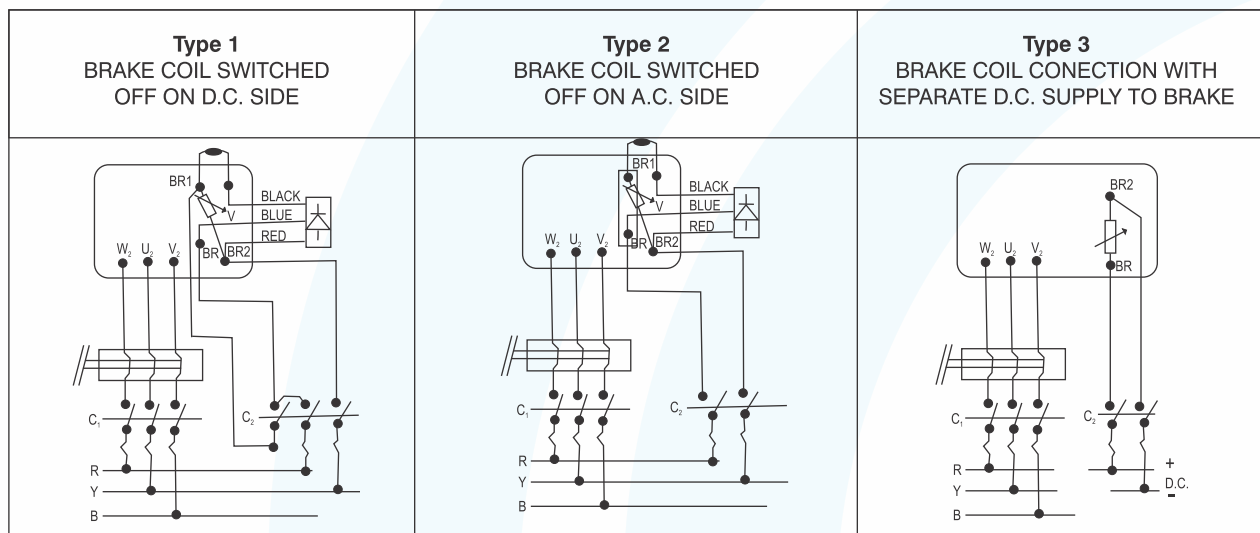
*Brake release time: The time interval between the instant the supply to the brake coil is switched on, to the instant the brake is released.

**Brake application time: The time interval between the instant the supply to the brake coil is interrupted to the instant the brake is applied.

The value depends on whether the circuit is interrupted on AC side or DC side.

For performance details of motor parts, please refer Industrial Motor section of this catalogue.

Brake Coil Connections



THE MOTOR MUST NEVER BE SWITCHED ON UNLESS THE BRAKE IS ENERGISED AND BRAKE SHOULD NEVER BE DE-ENERGISED WHEN THE MOTOR IS ON, THE INTERLOCKING OF TWO CONTACTS IS ABSOLUTELY NECESSARY.